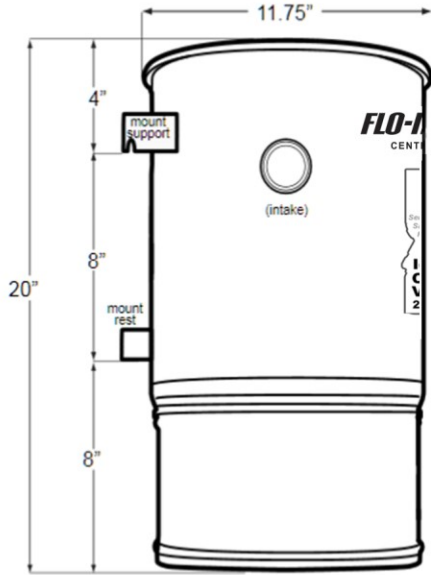


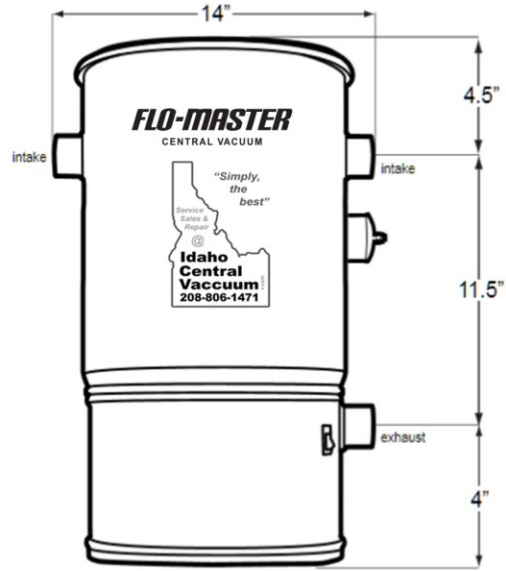
Idaho Central Vacuum **FLO-MASTER**[®]

MANUFACTURED BY
MD
CENTRAL VACUUMS

SPECIFICATIONS FOR MODEL
F450t
#F1153AF 120VOLT



SIDE VIEW



FRONT VIEW

PERFORMANCE

- Sealed Vacuum 108"
- CFM 119.5
- Air Watts 453
- Volts 120
- Amperage 10.2
- Quietness 62dBA
- Coverage 3,000 ft²

*Recommended home size can be higher or lower when considering these factors: altitude, hours of use, complexity of pipe installation, distance of furthest inlet, noise level, type and size of filtration, and budget.

FEATURES

- Motor: Single 1-stage thru-flow motor producing effective air watts.
- Filtration: Disposable closed-top 5-gallon bag.
- Intakes: Right & left intakes. Air relief valve.
- Construction: Durable powder-coated all steel body.
- Overload: Heat protection resettable minibreaker.
- Warranty: 3 Year Transferable + Lifetime.
- Dims/Weight: 11.75" Diameter, 20" Tall, 15 lbs.
- Accessories: All MD accessories and kits are compatible and are sold separately.
- Optional: Muffler.
- Required: Included air-relief valve must be installed in the back-side opening.

INSTALLATION

- Electrical: 120V - 50/60HZ, 15 amp circuit. Separate circuit recommended. 6' Cord with standard plug fits NEMA 5-20R receptacle.
- Mounting: Heavy duty bracket. Easy to hang and remove. Mount 6" off ground. Leave 24" above unit.
- Venting: Exterior venting not necessary. 30ft maximum line if venting.

PROJECT	LOCATION
DEALER	DATE / PRICE



Designed & Assembled in USA

www.idahocentralvacuum.com/flomaster
sales@idahocentralvacuum.com

Idaho Central Vacuum
Meridian Idaho
208-806-1471