

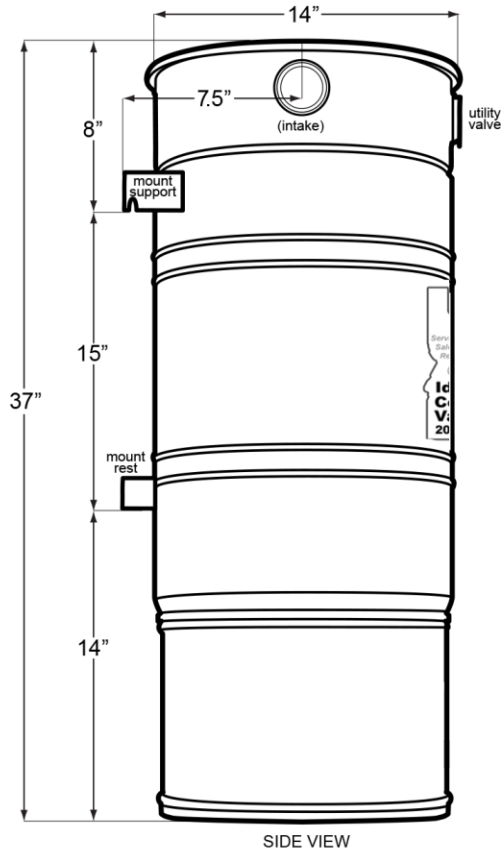
Idaho Central Vacuum **FLO-MASTER**[®]

MANUFACTURED BY
MD
CENTRAL VACUUMS

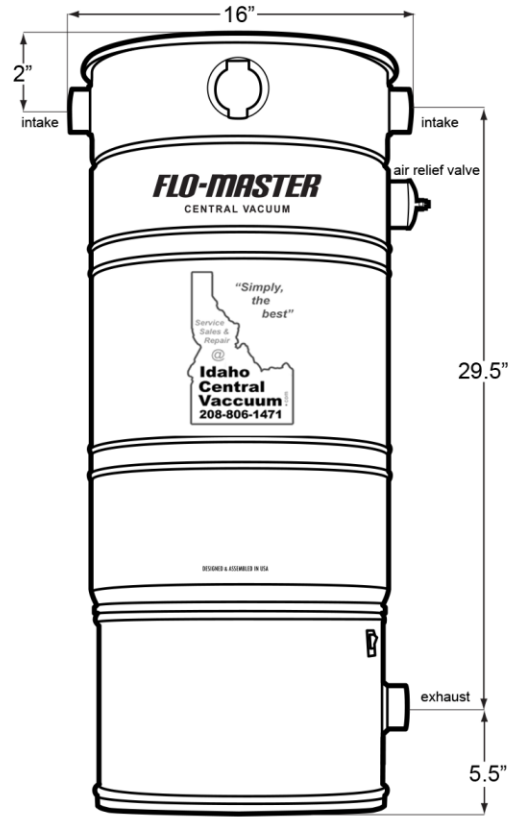
SPECIFICATIONS FOR MODEL

F700t

#F115DAD 120 VOLT



SIDE VIEW



FRONT VIEW

PERFORMANCE

Sealed Vacuum 145.9"
CFM 133
Air Watts 700
Volts 120
Amperage 14.5
Quietness 65dB_A
Coverage 10,000 ft²*

*Recommended home size can be higher or lower when considering these factors: altitude, hours of use, complexity of pipe installation, distance of furthest inlet, noise level, type and size of filtration, and budget.

FEATURES

Motor: Single 2-stage thru-flow motor producing high CFM & waterlift.
Filtration: Tru-Seal™ Microfiltration disposable 8-gallon bag, closed top.
Intakes: Right & left intakes. Utility valve. Air relief valve.
Construction: Durable powder-coated all steel body.
Overload: Heat protection resettable minibreaker.
Warranty: 10 Year Transferable + Lifetime.
Dims/Weight: 14" Diameter, 37" Tall, 38 lbs.
Accessories: All MD accessories and kits are compatible and are sold separately.
Optional: Muffler. Closed bag filtration.
Required: Included air-relief valve must be installed in the back-side opening.

INSTALLATION

Electrical:
120V - 50/60HZ, 20 amp circuit. Separate circuit recommended. 6' Cord with standard plug fits NEMA 5-20R receptacle.
Mounting:
Two-stud 17" wide bracket. Easy to hang and remove. Left/right variable positioning. Mount 6" off ground. Leave 24" above unit.
Venting:
Exterior venting not necessary. 30ft maximum line if venting.

PROJECT		LOCATION	
DEALER		DATE / PRICE	



Designed & Assembled in USA

www.idahocentralvacuum.com/modernday
sales@idahocentralvacuum.com

Idaho Central Vacuum
Meridian Idaho
208-806-1471