

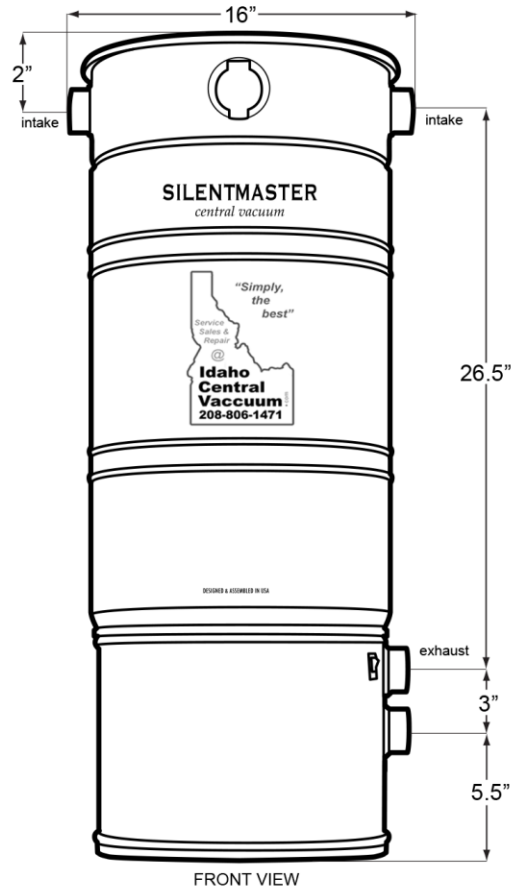
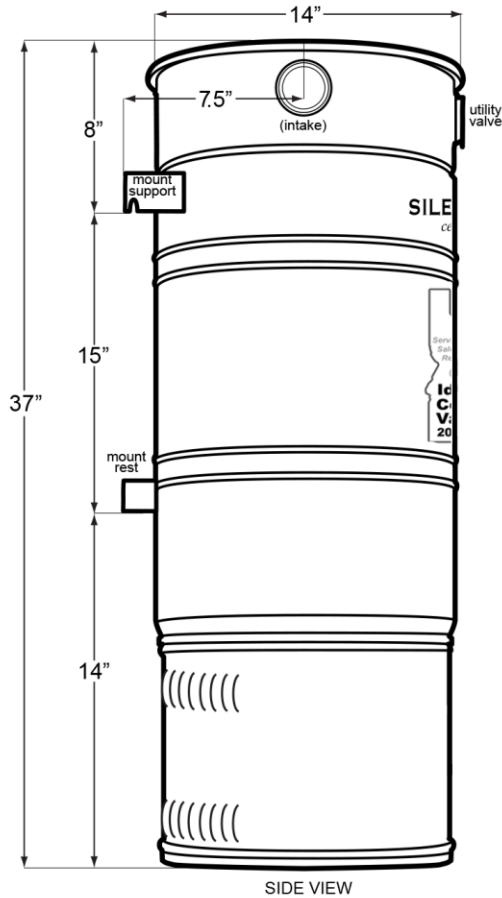
Idaho Central Vacuum SILENTMASTER®

MANUFACTURED BY
MD
CENTRAL VACUUMS

SPECIFICATIONS FOR MODEL

S900r

#S1257ND 120 VOLT



PERFORMANCE

Sealed Vacuum 139"
CFM 191
Air Watts 905
Volts 120
Amperage 27.8
Quietness 64dBA
Coverage 20,000 ft²

*Recommended home size can be higher or lower when considering these factors: altitude, hours of use, complexity of pipe installation, distance of furthest inlet, noise level, type and size of filtration, and budget.

FEATURES

Motor: Two 3-stage radial bypass motors producing high CFM and Waterlift.
Filtration: Tru-Seal™ Microfiltration disposable 8-gallon bag, closed top.
Intakes: Right & left intakes. Utility valve.
Construction: Durable powder-coated all steel body.
Overload: Heat protection resettable minibreaker.
Warranty: 12 Year Transferable + Lifetime.
Dims/Weight: 14" Diameter, 37" Tall, 49 lbs.
Accessories: All MD accessories and kits are compatible and are sold separately.
Optional: Air Relief Valve, Mufflers.

INSTALLATION

Electrical:
120V - 50/60HZ, 30 amp circuit. Separate circuit recommended. 6' Cord with large NEMA 5-30R receptacle.

Mounting:
Two-stud 17" wide bracket. Easy to hang and remove. Left/right variable positioning. Mount 6" off ground. Leave 24" above unit.

Venting:
Exterior venting not necessary. 30ft maximum dual line if venting.

PROJECT	LOCATION
DEALER	DATE / PRICE



Designed & Assembled in USA

www.idahocentralvacuum.com/silentmaster
sales@idahocentralvacuum.com

Idaho Central Vacuum
Meridian Idaho
208-806-1471