

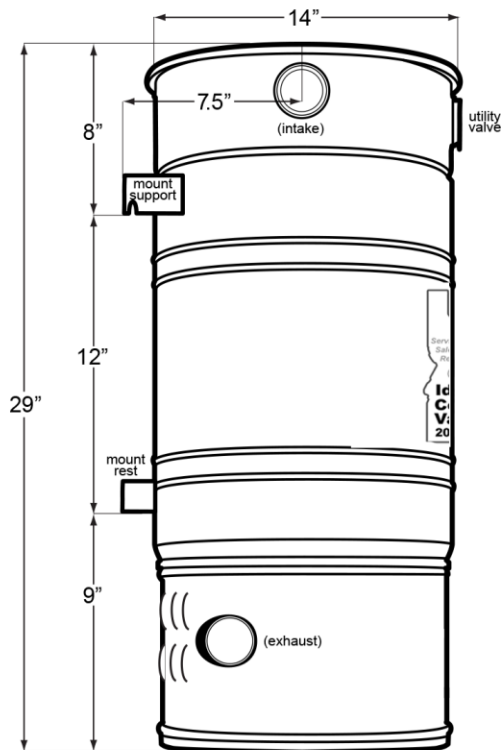
Idaho Central Vacuum MODERN DAY[®] MD

MANUFACTURED BY
CENTRAL VACUUMS

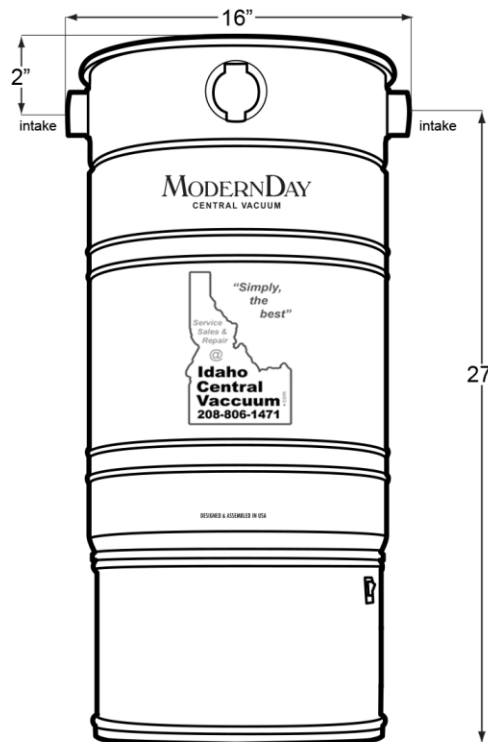
SPECIFICATIONS FOR MODEL

M575h

#F1155NC 120 VOLT



SIDE VIEW



FRONT VIEW

PERFORMANCE

Sealed Vacuum 130"
CFM 128.3
Air Watts 574
Volts 120
Amperage 15.2
Quietness 74dBA
Coverage 6,000 ft²

*Recommended home size can be higher or lower when considering these factors: altitude, hours of use, complexity of pipe installation, distance of furthest inlet, noise level, type and size of filtration, and budget.

FEATURES

Motor: Single 2-stage by-pass horned motor producing strong CFM and waterlift.
Filtration: Tru-Seal™ Microfiltration disposable 8-gallon bag, closed top.
Intakes: Right & left intakes. Utility valve.
Construction: Durable powder-coated all steel body.
Overload: Heat protection resettable minibreaker.
Warranty: 10 Year Transferable + Lifetime.
Dims/Weight: 14" Diameter, 29" Tall, 27 lbs.
Accessories: All MD accessories and kits are compatible and are sold separately.
Optional: Air Relief Valve, Muffler.

INSTALLATION

Electrical: 120V - 50/60HZ, 20 amp circuit. Separate circuit recommended. 6' Cord with standard plug fits NEMA 5-20R receptacle.
Mounting: Two-stud 17" wide bracket. Easy to hang and remove. Left/right variable positioning. Mount 6" off ground. Leave 24" above unit.
Venting: Exterior venting not necessary. 30ft maximum line if venting.

PROJECT		LOCATION	
DEALER		DATE / PRICE	



Designed & Assembled in USA

www.idahocentralvacuum.com/modernday
sales@idahocentralvacuum.com

Idaho Central Vacuum
Meridian Idaho
208-806-1471